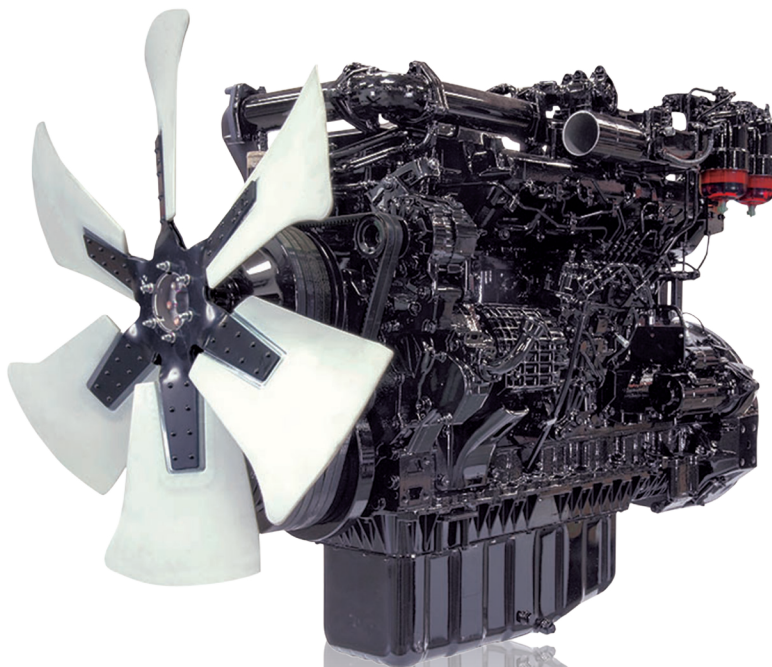




Dependable Power | 512 HP (382 KW) @ 1800 RPM

FEEL THE POWER

(every day)



High technology exhaust after treatment provides the ideal level of applied simplicity and end user **performance every day.**

6WG1

Certifications
U.S. EPA Tier **4**
EU Stage **IV**

isuzuengines.com

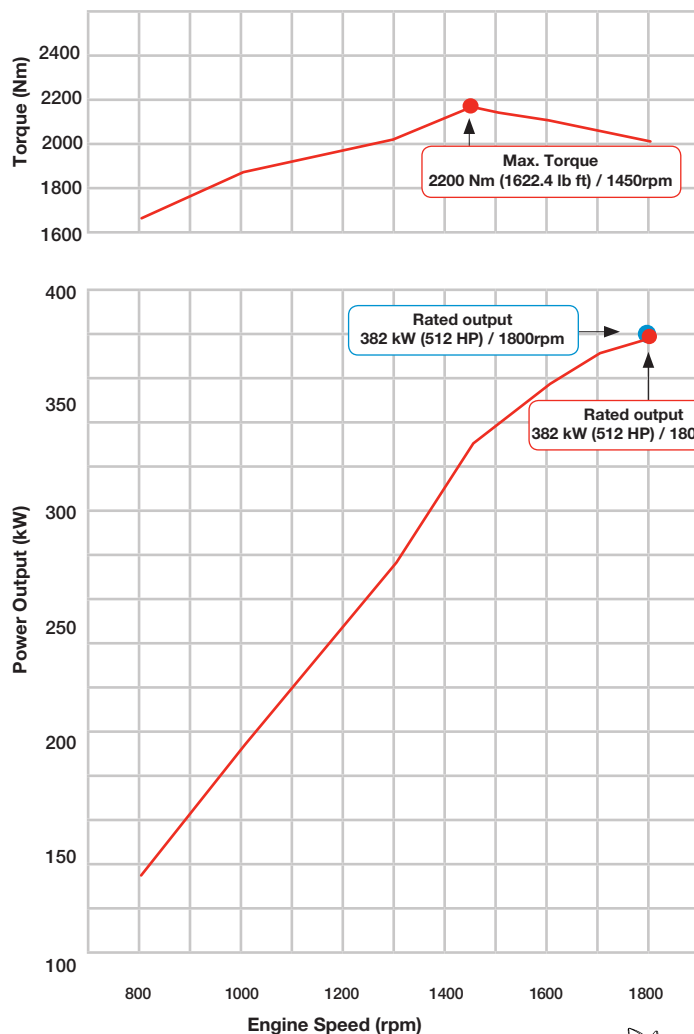


- Applications**
- Agricultural
 - General Industrial
 - Marine
 - Eco-Friendly
 - Automotive
 - On Road Heavy Duty
 - AWP
 - Water Pump
 - Hydraulic Pump
 - Refrigeration
 - Generator
 - Asphalt Paver
 - Irrigation



Performance

Engine Performance Curves



Standard

- Emission Control Device, maintenance free
- DOC & SCR
- Other emission-reducing features, including Cooled EGR, Wastegate Turbocharger
- High pressure Common Rail and Direct Injection
- Electric & self-priming fuel lift pump
- Glow plug starting aid
- Dry/replaceable cylinder liners
- 5-year / 5,000-hour warranty
- 500-hour oil drain & service interval

Available Options

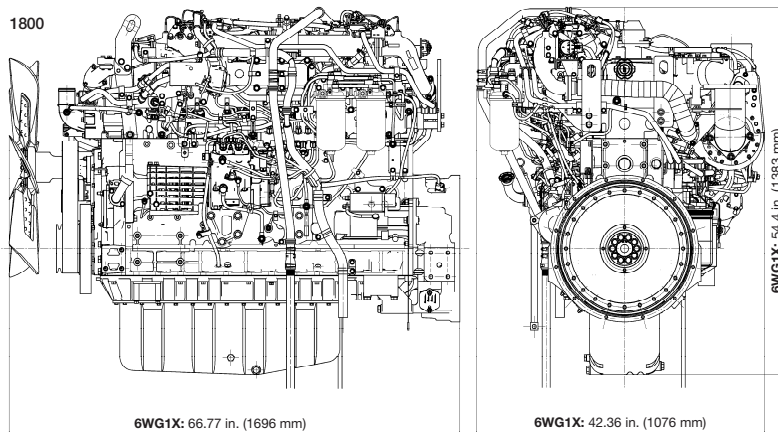
- Side or bottom drain oil pan
- SAE B Gear Case PTO
- Cooling packages
- Air cleaners
- Meter board and wire harness
- Engine mounting
- Weather and sound-proofing enclosure
- DEF System

Engine Performance Curves

● 6WG1 – Constant Speed

● 6WG1 – Variable Speed

For additional information, please contact your local distributor or visit isuzuengines.com



Isuzu Motors America, LLC

46401 Commerce Center Drive
Plymouth, Michigan 48170
Phone: 734.582.9470
Fax: 734.455.7581

ILS-6WG1X-019-3

ISUZU
DIESEL

isuzuengines.com